

532nm Polarization Maintaining Beam Splitter



● Product Description

Our fused-fiber polarization beam combiners/splitters are used to couple two orthogonally polarized beams into a single fiber, or to split a single input beam into two orthogonal linearly polarized output beams. These devices operate entirely with fiber; polarization states are combined or separated at a fused-fiber junction. This all-fiber construction can achieve higher transmission rates and withstand higher powers than calcite prism-based polarization beam combiners. Since the polarization-maintaining fiber in a fused fiber polarizing beam combiner

does not act as a polarizer, the input light must be linearly polarized and aligned with the fast and/or slow axis of the fiber. These devices are ideal for coupling light from two pump lasers into a single fiber to enhance the input light of an Erbium-doped or Raman fiber amplifier.

● Product features

Low insertion loss 、 High extinction ratio 、 High stability and reliability

● Part Number

MP-PBS-532-9-1-PA

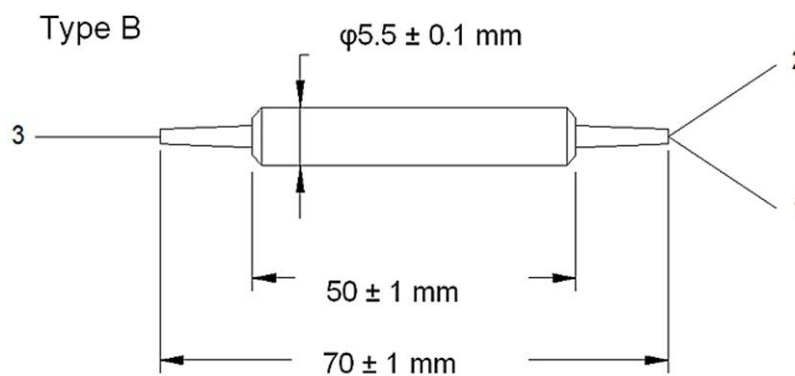
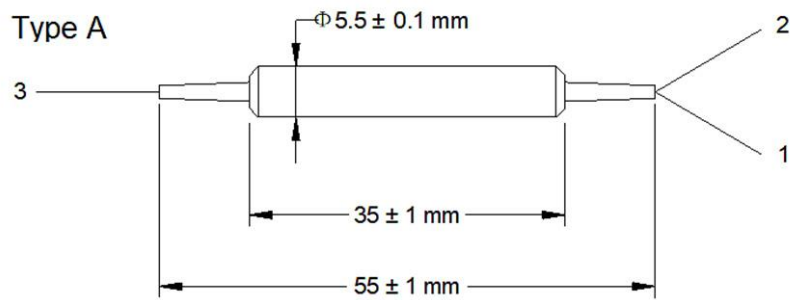
● Application area

Fiber optic sensing 、 Ultrashort pulse laser 、 Laser communications

● Core parameters

Central wavelength	Max. Tensile Load
532nm	5N

● Dimension Drawing



● General Parameters

Specifications

Parameters	Unit	Value
Center Wavelength	nm	532
Operating Wavelength Range	nm	± 10
Max. Insertion loss	dB	2
Min. Return Loss	dB	50
Typ. Extinction Ratio	dB	23
Min. Extinction Ratio	dB	21
Max. Optical Power (CW)	mW	100



Parameters	Unit	Value
Max. Tensile Load	N	5
Operating Temperature	°C	-5 to +70
Storage Temperature	°C	-40 to +85

*Above specifications are for devices without the connectors.

*For devices with connectors, IL will be 1.5dB higher, RL will be 5dB lower, and ER will be 2dB lower.

*The PM fiber and the connector key are aligned to the slow axis.

*The material must be RoHS compliant

Ordering Information

MP-PBC-①①-②-③-④-⑤/MP-PBS-①①-②-③-④-⑤

①①: Wavelength	532 - 532 nm, 1064 - 1064 nm, 1310 - 1310 nm, 1550 - 1550nm, SS - Specify
②: Jacket Type	B - Bare fiber, 9- 900 μm loose tube, 3- 3 mm Cable, S - Specify
③: Fiber Length	1 - 1.0 m, S - Specify
④: Fiber Type	S - SM, P - PM
⑤: Connector Type	P- FC/PC, A- FC/APC, N - None, S-Specify