

880-2600nm High Speed Extended InGaAs Photodetector



- **Product Description**

The photoelectric detector is a photoelectric detector with wide wavelength response. Response wavelength range: 880-2600nm. Our detector has fast response speed and is widely used in the field of communication sensing.

- **Product features**

Compact size、 4 ϕ 6mm through holes for coaxial mounting、 Light-tight and air-tight、 Multiple sensor options、 Switchable 20dB gain、 Wide power input: ± 5 to ± 20 V

- **Part Number**

MP-CPD-M-I-B-H-8M10-4M

- **Application area**

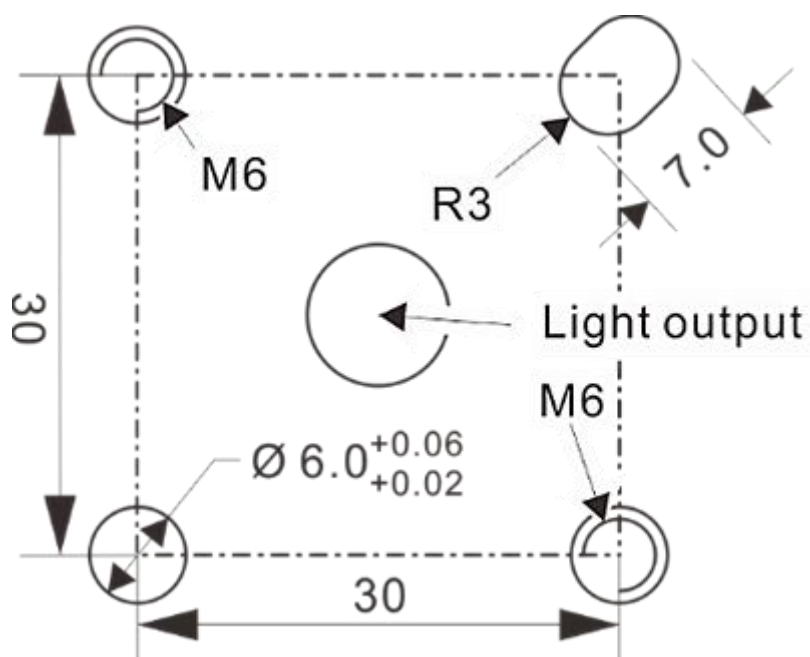
Q-modulated laser monitoring、 Mode-locked laser output monitoring、

Weak visible light detector

- **Core parameters**

Spectral response range	Responsivity
880-2600nm	0.85A/W @1310nm; 0.95A/W @1550nm

- **Dimension Drawing**



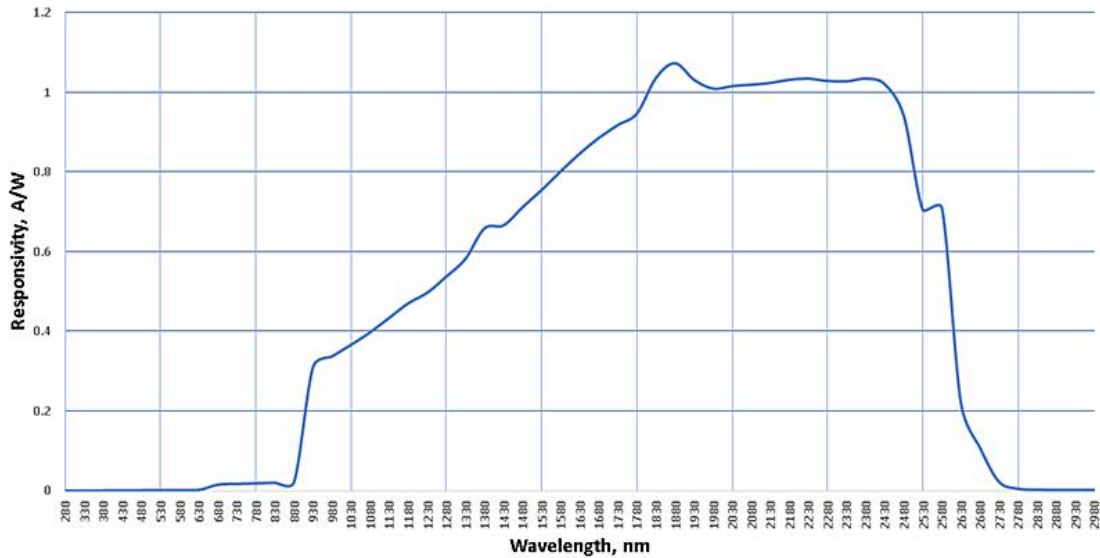


● General Parameters

Properties	Value
Photodetector	Extended InGaAS Indium Gallium Arsenide Detector
Photosensitive surface size	Φ1mm
Optical window	Plane borosilicate glass
Response wavelength range	880-2600nm
Peak wavelength	1860nm
Sensitivity	0.85A/ W @1310nm 0.95A/ W @1550nm
Directivity	±20°
NEP	$6 \cdot 10^{-15} \text{ W/ Hz}^{1/2}$
Operating bandwidth	3-5MHz
Transimpedance gain	50k V/ A @ 0dB Gain 500k V/ A @20dB Gain
Output voltage range	0~+3V (into Hi-Z) 0~+1.5V (into 50Ω)
Output impedance	50Ω
Input operating voltage	V+: +5 ~ +20V

	V : -5 ~ -20V
Operating temperature	10~50 °C
Maximum pressure difference	±50kPa

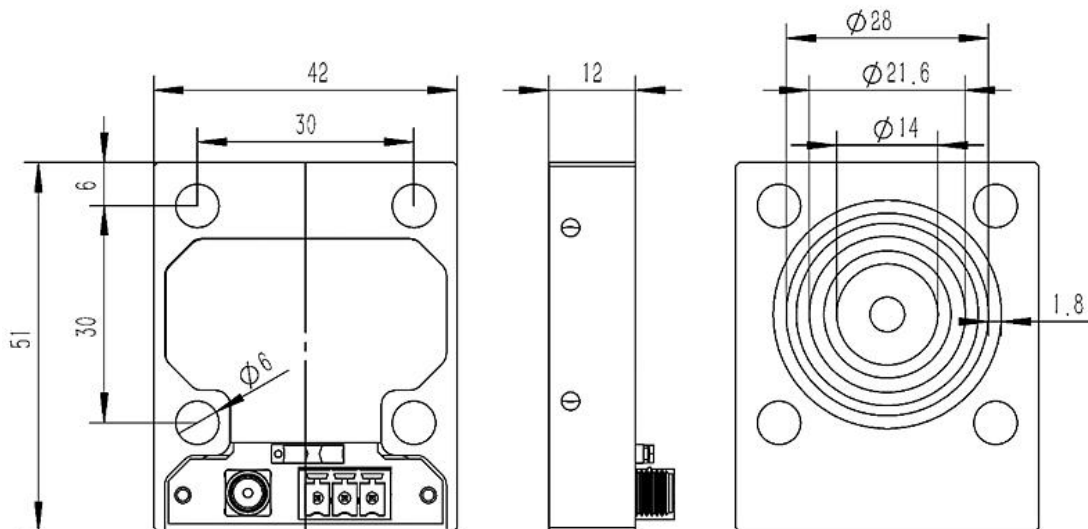
Response spectrum



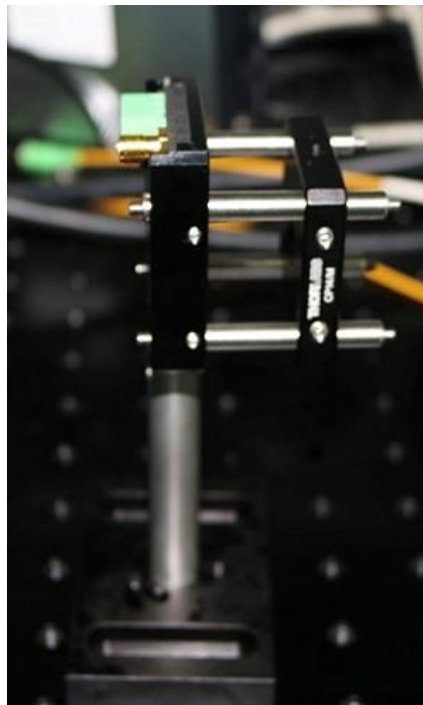
Quantum efficiency graph

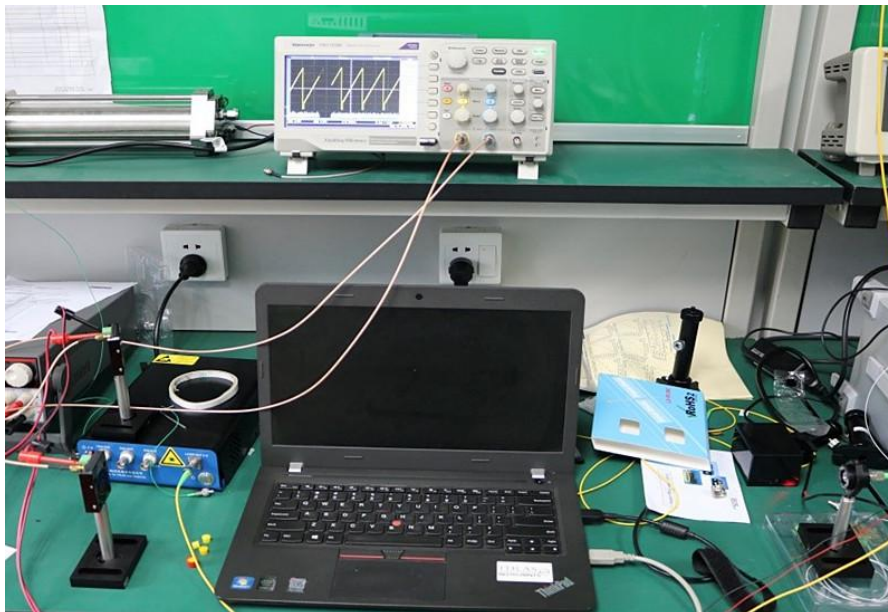
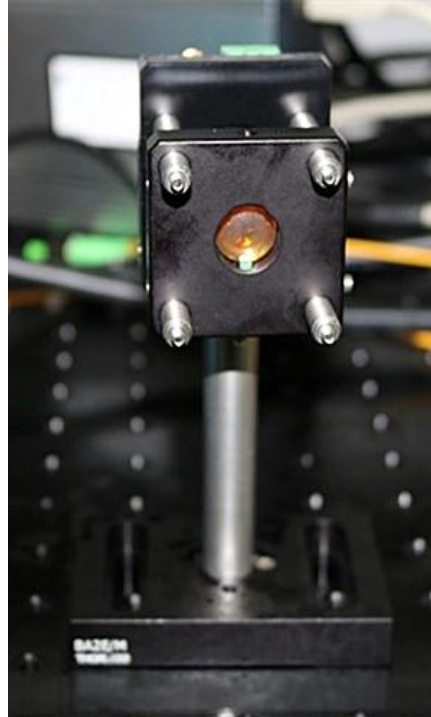


Photodetector C3A-I2600FA Dimensional drawing



Installation Example





Recommended mounting hole diameter:

Use the two guide rails to precisely position the sensor. Use four M6 screws to secure the position.