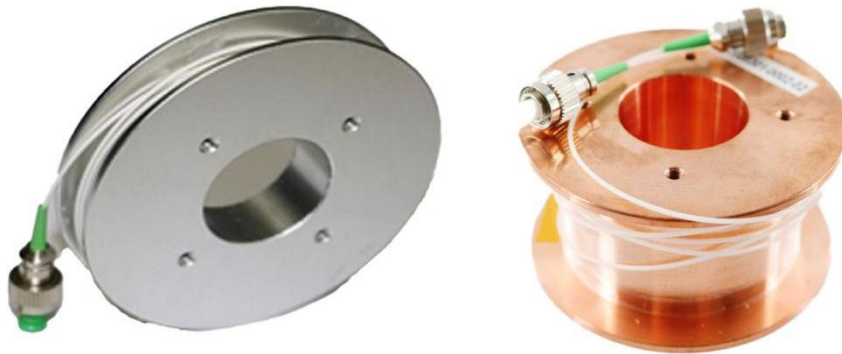


24.3m Nanosecond Fiber Delay Line



- **Product Description**

Compact, low-loss fiber coils made by Idealphotonics requires attention, precision, and skill. Our F-TDC Compact time delay coils feature a proprietary manufacturing process that provides extremely low insertion loss while fitting your budget and small space.

- **Product features**

Compact size 、 Low insertion loss 、 Choose your own delay length 、
 Sturdy construction 、 Easy to use

- **Part Number**

MP-ODL-24.3-SA

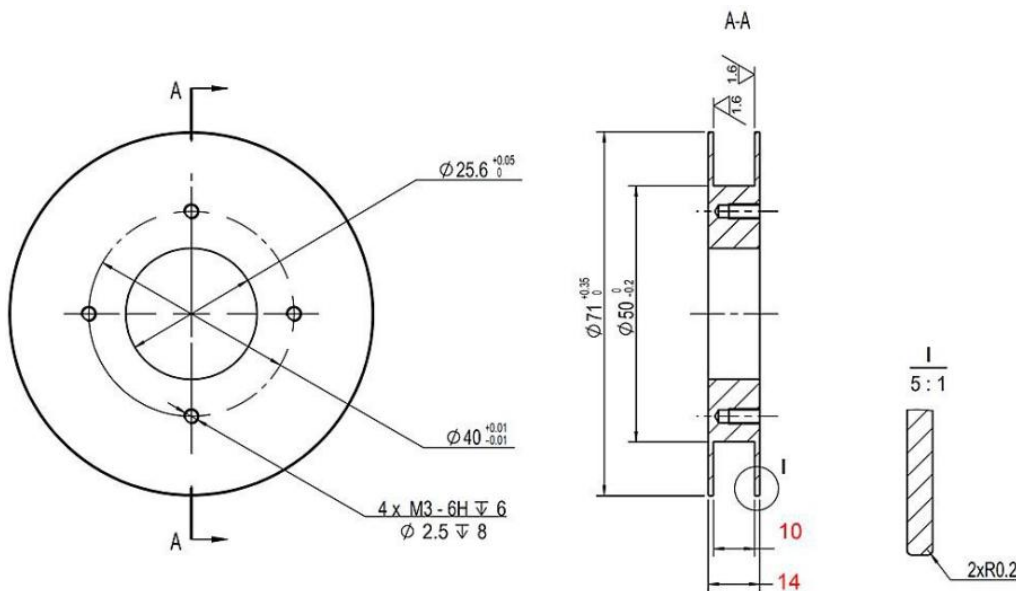
● Application area

Optical Buffers for Optical Networks 、 Gyroscopes, Sensors, and Signal Processing 、 Radar and instrument calibration 、 Laser spectroscopy 、 Time Delay of Optoelectronic Oscillator 、 Nonlinear Fiber Loop 、 Fiber Optic Network Testing and Analysis 、 Optical packet switching, buffering, routing and input / output synchronization

● Core parameters

Operating wavelength	Fiber type
1260~1700 nm	FC/APC

● Dimension Drawing



● General Parameters

Parameter	Symbol	Min. Value	Typ. Value	Max. Value	Unit
Fiber length	L	10	500	5000	m
Typical loss	IL	0.1	0.2	0.3	dB/km
Operating wavelength	λ	1260	1500	1700	nm
Operating temperature	T	-40	25	85	°C
Fiber type		HI1060/SMF-28E/PM1550(Optional)			
Operating power	Pf	500	1000	5000	mW
Frame size		Customize			
Connector type		FC/APC or FC/PC			
Fiber delay range		Depends on fiber length *			

Note

* Calculate the required delay length

To calculate the required fiber length to obtain a specific time delay, use the following formula: $L = c \Delta t / n$, where c is the speed of light in a vacuum, Δt represents the expected time delay, n represents the refractive index of fused silica at the relevant wavelength (at 1310 nm At $n = 1.4677$ at 1550 nm , $n = 1.4682$).



Ordering Info

MP-ODL-L□□□□-XX

L□□□□ : Length

0010: 10m

0100:100m

1000:1000m

XX: Fiber and connector types

SN=SMF-28E Fiber + None

SA=SMF-28E Fiber + FC/APC

SP=SMF-28E Fiber + FC/PC

PP=PM Fiber Fiber + FC/PC

PA=PM Fiber Fiber + FC/APC