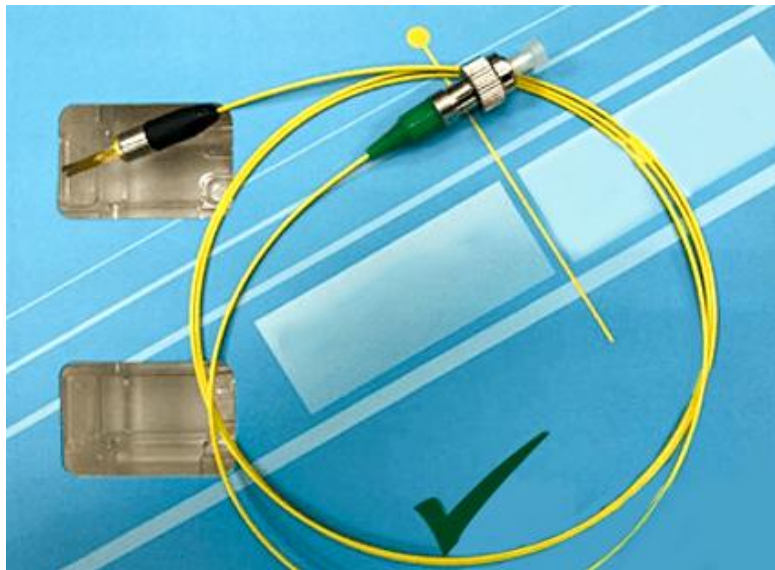


850nm T046 polarization-maintaining fiber-coupled VCSEL laser diode (with TEC)



● Product Description

VCSEL is a vertical emitting MOVPE grown GaAsP/AlGaAs single mode diode laser. Wavelength tuning can be achieved by laser current and temperature tuning. Built-in TEC and thermistor.

● Product features

Low temperature dependence of electrical and optical properties、 Vertical cavity surface emitting laser、 Internal TEC and thermistor, ESD protection、 Narrow linewidth、 2nm tunable



● Part Number

MP-VCS-FC-850-0.3-TO46-PA

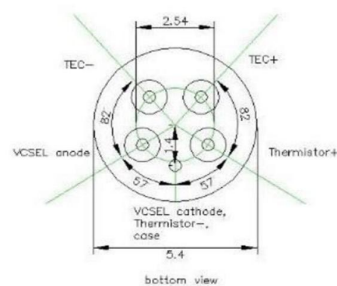
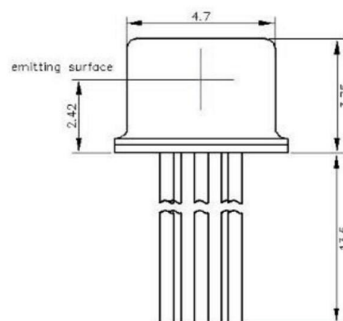
● Application area

CPT atomic clock、 Optical coherence experiment

● Core parameters

Wavelength	Output Power	Connector
850±10nm	1.2mA	FC/APC

● Dimension Drawing





● General Parameters

Technical parameters:

Test conditions: temperature 25°C

Wavelength	850 nm ± 10 nm
Guaranteed output power	≥0.3mW
Threshold current	1.2 mA
Operating current	6mA
Operating voltage	2.1v
Test output power	1.1 m W
Polarization extinction ratio (PER)	> 17 dB
Fiber type	PMF
Fiber length	>80cm
Connector type	FC/APC
Packaging type	TO46 Coaxial package

Safety Information:

- Avoid eye exposure to direct or scattered radiation • ESD precautions must be taken
- Use a constant current power supply to avoid surge current
- The laser diode must be used according to the specification requirements
- The laser diode must have good cooling effect • Storage temperature: -20°C to +80°C