

Polarization Maintaining Attenuator 633nm



- **Product Description**

Based on Idealphotonics' unique optical design and processing capabilities, our VOA has the characteristics of being able to quickly adjust optical attenuation, small size, low insertion loss, low polarization-related loss, high mode-related stability and high reliability. It is mainly used in multimode transmission networks, power balancing, product testing, and related instruments and equipment.



- **Product features**

Wide operating wavelength range & wide temperature range、 Low insertion loss、 Low polarization-dependent loss and polarization mode dispersion、 High reliability and stability、 Telcordia GR-1221 & GR-1209

- **Part Number**

MP-VOA-633-1-9-PA

- **Application area**

Multimode product testing、 Multimode transmission network、 Power balancing、 Receiver protection、 Related instruments and equipment、

- **Core parameters**

Center Wavelength	Operating Wavelength Range	Min.Attenuation Range
633nm	±10nm	30dB

● Dimension Drawing

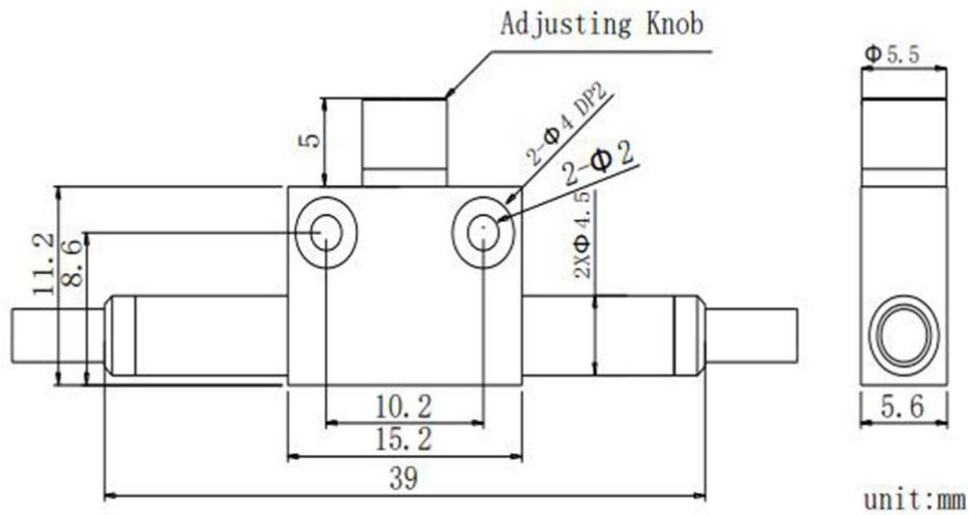


Fig.2 Package for 2mm cable or 3mm cable.
The Color of Tube is Orange.

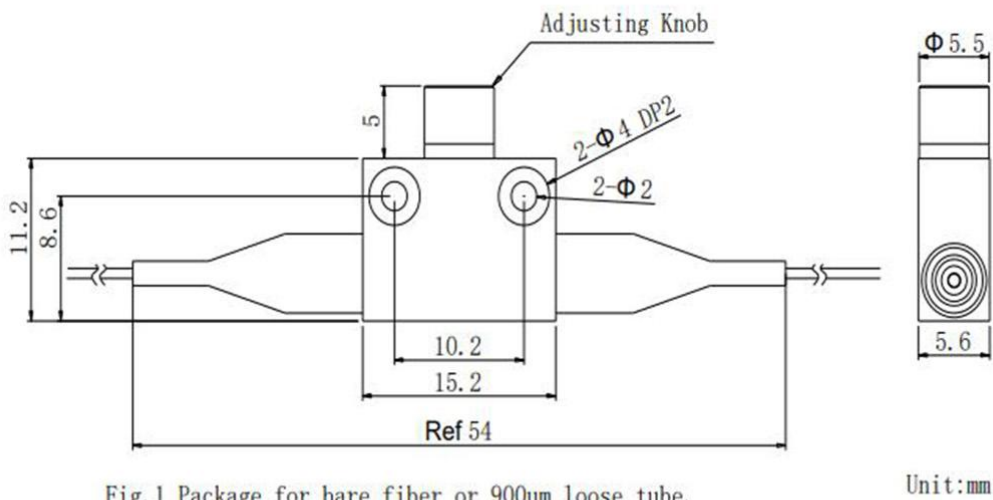


Fig.1 Package for bare fiber or 900um loose tube.
The Color of Tube is Red.



● General Parameters

Parameter	Unit	Values
Central wavelength	nm	633
Operating wavelength range	nm	±10
Max.Excess Loss	dB	2
Min.Attenuation Range	dB	30
Resolution Within 10dB Attenuation Range	dB	0.1
Min.Extinction Ratio (Minimum Attenuation)	dB	20
Max.TDL(Minimum Attenuation)	dB	0.7
Min.Return Loss	dB	50
Fiber Type	-	Nufern PM630-HP Fiber
Max.Tensile Load	N	5
Max.Optical Power (Cw)	mw	100
Operating Temperature	°C	0 to 70 (No Condensing)
Storage Temperature	°C	-40 to +85 (No Condensing)



Parameters

Parameters	Unit	Value
Supported central wavelength	nm	1060/1310/1550/2000nm
Operating bandwidth	nm	±30
Maximum additional loss	dB	0.6
Maximum attenuation	dB	30
Max.WDL at 23°C, minimum attenuation	dB	0.3
Attenuation resolution within 10dB range	dB	0.1
Max.TDL(Minimum attenuation)	dB	0.5
Minimum return loss	dB	50
Minimum extinction ratio (Polarization-mode)	dB	20
Fiber type	-	SM/Panda Fiber (Selection by operating wavelength)
Max. tensile strength	N	5
Maximum operating power(CW)	mW	300
Operating temperature	°C	0 to 70
Storage temperature	°C	-40 to +85 (No Condensing)



*Above specifications are for device without connectors.

*For devices with connectors, IL will be 0.3dB higher, RL will be 5dB lower, and ER is 2dB lower .

*The PM fiber and the connector key are aligned to the slow axis.

Ordering information

MP-VOA- W□□□□ -☆-△-XX

W□□□□: Wavelength

1064: 1064nm

1310: 1310nm

1550: 1550nm

2000: 2000nm

☆ : Pigtail Length

05: 0.5m

1: 1m

10: 10m

△: Loose Tube

B: Bare Fiber

9: 900um Loose Tube

20: 2mm Loose Tube

30: 2mm Loose Tube

XX: Fiber and Connector Type



S06A=HI1060+ FC/APC

P06P=PM980+ FC/PC

S13A=SMF-28E+ FC/APC

P13P=PM1310+ FC/PC

S15A=SMF-28E+ FC/APC

P15P=PM1550+ FC/PC

S20A=SM1950+ FC/APC

P20P=PM1950+ FC/PC