

1064nm SM Attenuator



● Product Description

The adjustable attenuator is based on IdealPhotonics' unique optical design and processing capabilities. Our VOA features fast optical attenuation adjustment, compact size, low insertion loss, low polarization-dependent loss, high mode stability, and high reliability. It is mainly used in multimode transmission networks, power balancing, product testing, and related instruments and equipment.



● Product features

Wide operating wavelength range & broad temperature range 、 Low insertion loss 、 Low polarization-dependent loss and polarization mode dispersion 、 Extremely high reliability and stability 、 Compliant with Telcordia GR-1221 & GR-1209 standards

● Part Number

MP-VOA-1064-1-9-SA

● Application area

Multi-mode product testing、 Multi-mode transmission networks、 Power balancing、 Receiver protection、 Related instrumentation and equipment

● Core parameters

Center Wavelength	Operating Wavelength Range	Min.Attenuation Range
1064nm	±30nm	30dB

● Dimension Drawing

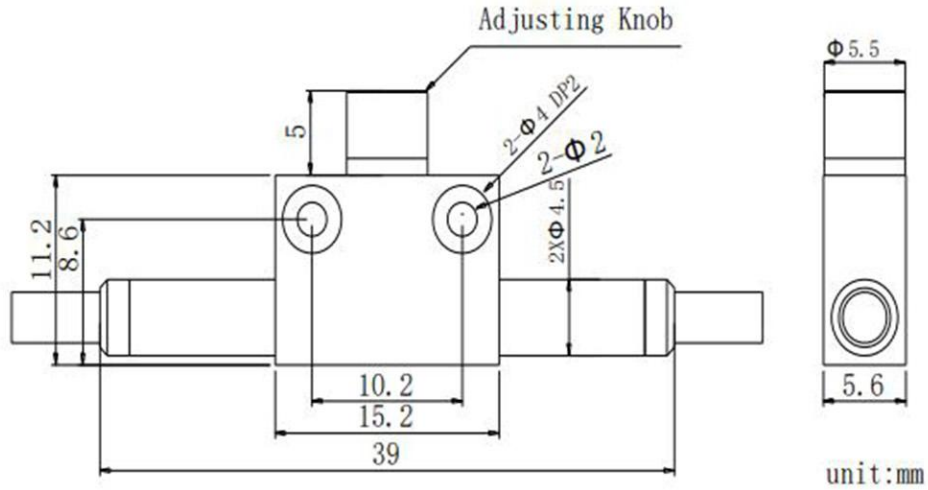


Fig.2 Package for 2mm cable or 3mm cable.
The Color of Tube is Orange.

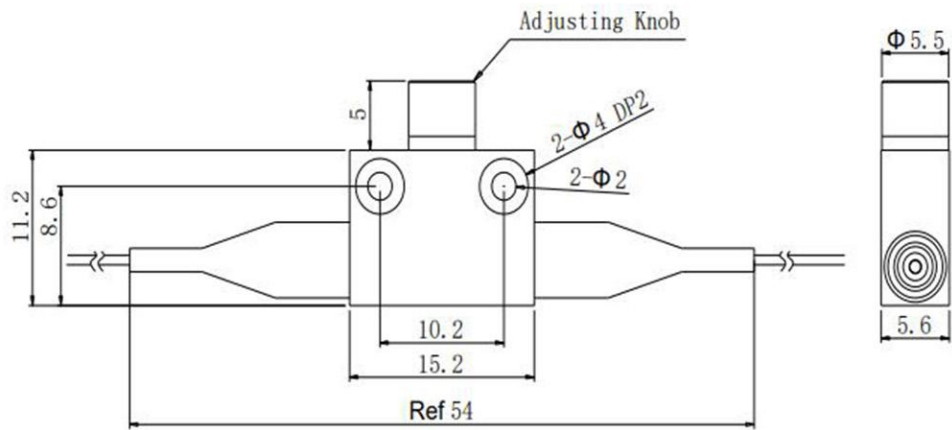


Fig.1 Package for bare fiber or 900um loose tube.
The Color of Tube is Red.



● General Parameters

Parameters

Parameters	Unit	Value
Support Center Wavelength	nm	1060/1310/1550/2000nm
Operating Bandwidth	nm	±30
Maximum Additional Loss	dB	0.6
Maximum Attenuation	dB	30
Max. WDL at 23°C, Minimum Attenuation	dB	0.3
Attenuation Resolution within 10dB Range	dB	0.1
Max. TDL (Minimum Attenuation)	dB	0.5
Minimum Return Loss	dB	50
Minimum Extinction Ratio (PM)	dB	20
Fiber Type	-	SM/Panda Fiber (based on operating wavelength)
Max. Tensile Strength	N	5
Maximum Operating Power (CW)	mW	300



Operating Temperature	°C	0 to 70
Storage Temperature	°C	-40 to +85 (No Condensing)

*Above specifications are for device without connector.

*For devices with connectors, IL will be 0.3dB higher, RL will be 5dB lower, and ER is 2dB lower.

*The PM fiber and the connector key are aligned to the slow axis.

Ordering Information

MP-VOA- W□□□□ -☆-△-XX

W□□□□: Wavelength

1064: 1064nm

1310: 1310nm

1550: 1550nm

2000: 2000nm

☆ : Pigtail Length

05: 0.5m

1: 1m

10: 10m

△: Loose Tube B: Bare Fiber

9: 900um Loose Tube

20: 2mm Loose Tube



30: 2mm Loose Tube

XX: Fiber and Connector Type

S06A=HI1060+ FC/APC

P06P=PM980+ FC/PC

S13A=SMF-28E+ FC/APC

P13P=PM1310+ FC/PC

S15A=SMF-28E+ FC/APC

P15P=PM1550+ FC/PC

S20A=SM1950+ FC/APC

P20P=PM1950+ FC/PC