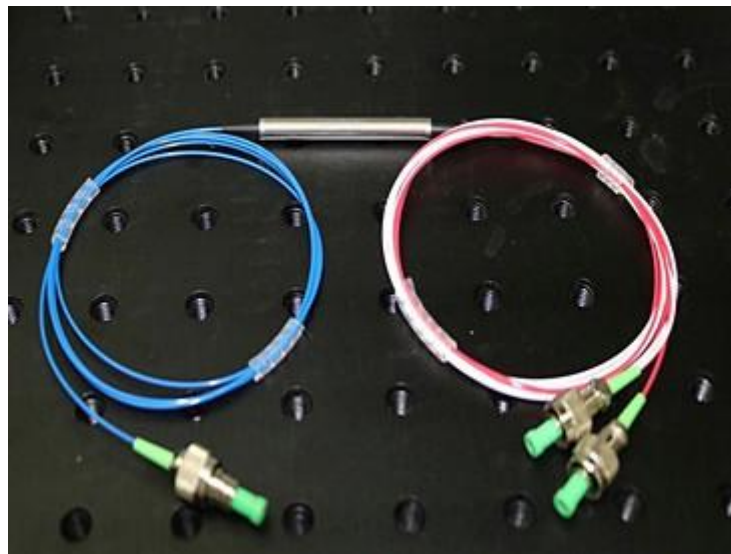


Near-infrared broadband fiber circulator (1250-1370nm)



● Product Description

The optical circulator is a three-port device, and light can only propagate in one direction. If a signal is input from port 1, it will be output from port 2; if a signal is input from port 2, it will be output from port 3, and the output loss is very small. When light is input from port 2, the loss when output from port 1 is large. Similarly, when light is input from port 3, the loss when output from ports 1 and 2 is also large. Optical circulators are non-reciprocal optical devices. Due to its high isolation and low insertion

loss, fiber optic circulators are widely used in advanced communication systems.

● Product features

Damage threshold: 500mW 、 Ultra-wide operating band range 、 High isolation

● Part Number

MP-CIR-2537-A-3-SA

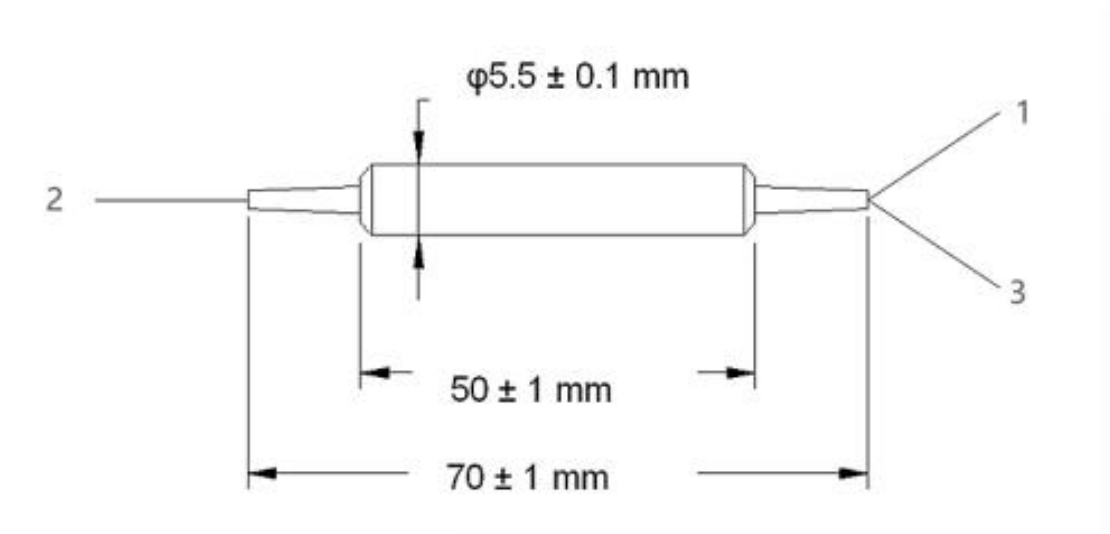
● Application area

Difference multiplexing 、 Light sensor 、 Bidirectional pumping 、 Bidirectional signal transmission system 、 Coaxial coupling dispersion compensation device

● Core parameters

Wavelength Range	Fiber Type
1250-1370nm	SMF-28e

● Dimension Drawing



● General Parameters

Specifications

Parameters	Unit	Value
Operating wavelength range	nm	1250-1370
Max. Insertion loss (1→2, 2→3), 23°C	dB	1.1
Min. Isolation (3-2, 2-1), 23°C	dB	32
Max. Polarization-dependent loss, 23°C	dB	0.2
Max. Polarization mode dispersion, 23°C	dB	0.15
Min. Return loss, 23°C	dB	50
Min. Crosstalk (1→3), 23°C	dB	50
Max. Input optical power (CW)	mW	500
Max. Tensile load	N	5
Fiber type	-	SMF-28e Fiber
Operating temperature	°C	-5~70
Storage temperature	°C	-40~85

*The above specifications are for devices without connectors.



*For devices with connectors, IL will be 0.3dB higher and RL will be 5dB lower.

*Material must be RoHS compliant.

Ordering Information

MP-CIR- W□□□□-S○-P▽-☆-△-XX

W□□□□: Wavelength

1310:1310nm

1550:1550nm

0532:532nm

S○: PortStructure

12:1x2(3 ports)

22:2x2 (4 ports)

▽: Package

01: P1(5.5x68mm)

02: P2(90x20x9.5mm)

☆ : PigtailLength

05:0.5m

1: 1m

10:10m

△: LooseTube

B:Bare Fiber

9:900um Loose Tube



20:2mmLoose Tube

30: 2mmLooseTube

XX: Fiber and Connector Type

SA=SMF-28E+ FC/APC

SP=SMF-28E+ FC/PC

PA=PMFiber+ FC/APC

PP=PMFiber+ FC/PC