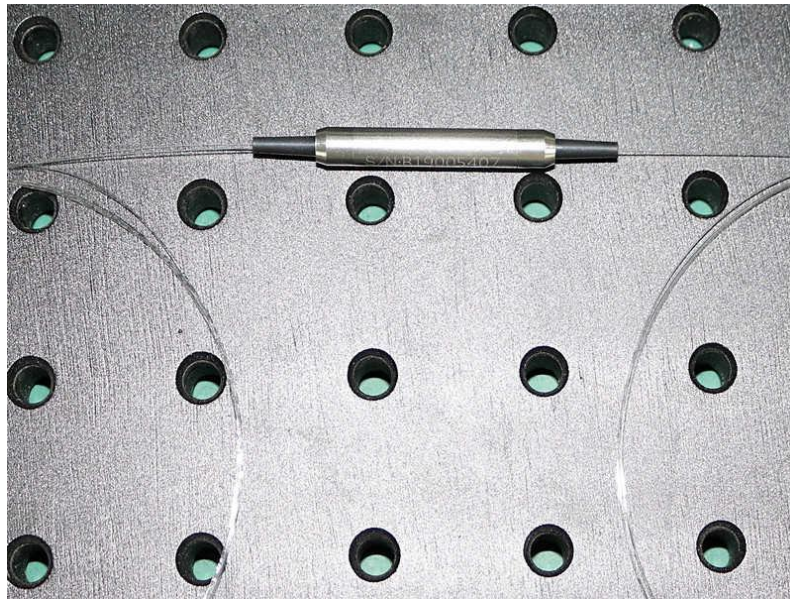


# 1550nm Single-mode Bandpass Fiber Optic Filter, 3dB Passband 0.8nm, FC/APC



## ● Product Description

Idealphotonics' fiber filters use a special fiber structure to select or filter out specific wavelengths of light from different wavelengths. We can provide filter devices with different optical power versions according to user needs, which can be used in dense wavelength division multiplexing fiber communications, frequency division multiplexing fiber communications, spectrum testing, fiber sensors, fiber lasers and fiber amplifiers. If you need to customize the center wavelength, operating temperature or specific working bandwidth, please contact us for customization.

- **Product features**

Wide passband range、 Low insertion loss、 High passband isolation、 Stable operating characteristics

- **Part Number**

MP-BPF-1550-20-SN

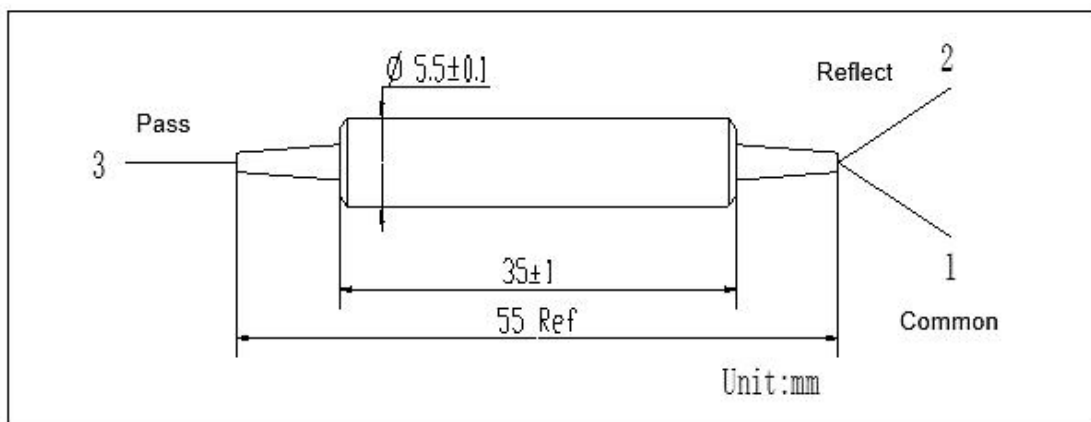
- **Application area**

Fiber amplifier、 WDM&DWDM system、 Fiber equipment、 Fiber laser

- **Core parameters**

Wavelength	Bandpass	Connector
1550nm	20nm	None

- **Dimension Drawing**





## ● General Parameters

### Technical Parameters

Parameters		Unit	Value
Center Wavelength		nm	1550
Min. Pass BandWidth @ 0.5dB		nm	0.3, 0.7, 2.0, 3.0, 4.0, 5.0
Insertion Loss over Pass Band Wavelength		dB	≤1.2
Stop Band @ 25dB	0.3nm Bandwidth	nm	1520~1549 & 1551~1610
	0.7nm Bandwidth	nm	1520~1548.5 & 1551.5~1610
	2nm Bandwidth	nm	1520~1547 & 1553~1610
	3nm Bandwidth	nm	1520~1546 & 1554~1610
	4nm Bandwidth	nm	1520~1545 & 1555~1610
	5nm Bandwidth	nm	1520~1544 & 1556~1610
ASE Direction		-	F: Forward, B: Backward, T: Two-way
Configuration		-	D: 2-port, Y: 3-port, X: 4-port
Optical Return Loss		dB	≥50
Polarization Dependent Loss		dB	≤0.1
Fiber Type	Input&Output	-	SMF-28 Fiber or 10/130um DC Fiber (O)
		-	12/130um DC Fiber (T) or 20/130um DC Fiber (Q)
		-	25/250um DC Fiber (R) or 25/300um DC Fiber (G)
	ASE Guide Out (Y/X Type)	-	Same Fiber or MM Fiber
Fiber Tensile Load		N	5
Max. Optical Power (CW, ASE+Signal)		mW	300



Parameters		Unit	Value
Operating Temperature		°C	0~70
Storage Temperature		°C	-40~85
Package Dimension	Stainless Steel Tube (SST)	mm	(Ø)5.5x35
	Metal Box	mm	(L)120x(W)12x(H)10

**Note:** \*.All specifications are for measurements without connectors, and are valid only at the specified wavelength, polarization state, and temperature.

**\*\*.**Specifications are subject to change without notice.

## Ordering Information

MP-BPF- W□□□□-B○-P▽-☆-△-XX

W□□□□: Wavelength

1520:1520nm

1550:15500nm

\*\*\*\*\*

1560:1560nm

1580:1580nm

B○: 3dB bandpass width

08:0.8nm

P▽: Package



**1: Standard**

**2: Mini**

☆ : Pigtail Length

**05:0.5m**

**1: 1m**

**10:10m**

△: Loose Tube

**B:Bare Fiber**

**9:900um Loose Tube**

**20:2mm Loose Tube**

**30: 2mm Loose Tube**

**XX: Fiber and Connector Type**

**SA=SMF-28E+ FC/APC**

**SP=SMF-28E+ FC/PC**

**PA=PM Fiber+ FC/APC**

**PP=PM Fiber+ FC/PC**

**PN= PM Fiber+ none**