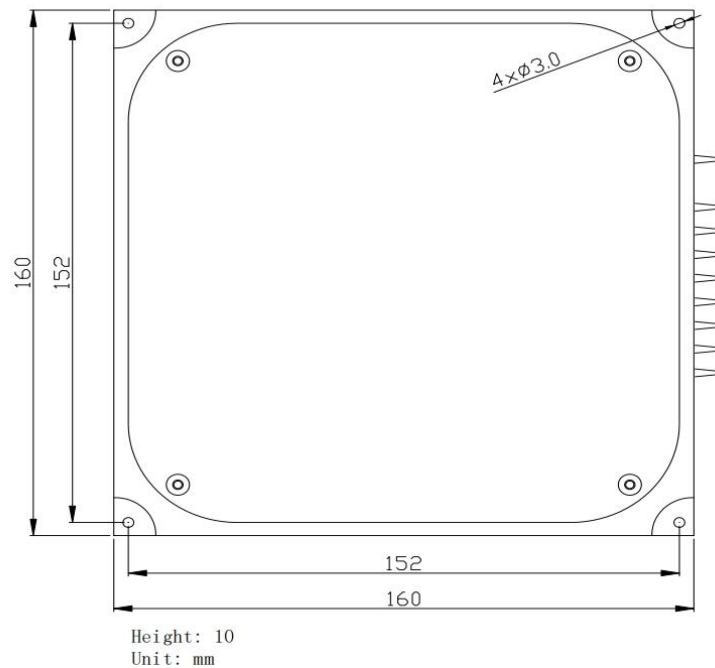


# Dual-Axis Polarization-Maintaining Wavelength Division Multiplexer Module 4 Channels 100GHz FC/UPC



## ● Product Description

Dual-axis polarization-maintaining wavelength division multiplexer module

4-16 channels

## ● Product features

High number of channels; Narrow interval; Polarization maintaining fiber compatibility; High isolation level; Low insertion loss

## ● Part Number

MP-WDM-4-100-PU

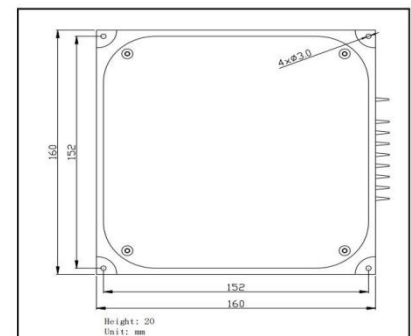
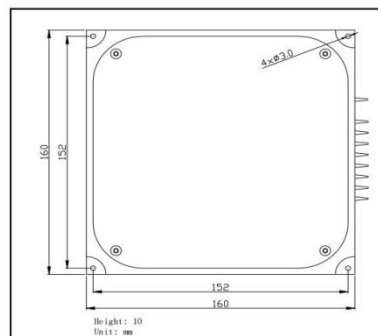
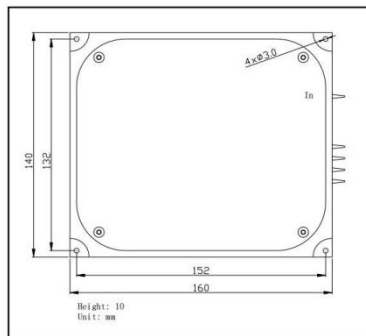
## ● Application area

High speed optical communication | Data center | Fiber optic network testing | Quantum communication | Research grade experiments

## ● Core parameters

Aisle	Filter Type	Connector
4-channels	100GHz	FC/UPC

## ● Dimension Drawing



## ● General Parameters

Parameter		Unit	Values		
Filter Type		-	100GHz ( $\pm 0.11\text{nm}$ ), or 200GHz ( $\pm 0.25\text{nm}$ )		
Aisle		nm	4-channel s	8-channel s	16-channel s
Insertion loss		dB	$\leq 2.2$	$\leq 3.2$	$\leq 4.5$
Passband flatness		dB	$\leq 0.5$		
Channel isolation (Mux)		dB	NA		
Channel isolation (Demux)	Adjacent	dB	$\geq 25$		
	Non-adjacent	dB	$\geq 40$		
Polarization extinction ratio		dB	$\geq 18$	$\geq 17$	$\geq 16$
Directionality		dB	$\geq 50$		
Return loss		dB	$\geq 45$		
Central wavelength stability		nm/ °C	$\leq 0.002$		
Thermal stability		dB/°C	$\leq 0.005$	$\leq 0.006$	$\leq 0.008$
Max. optical power (CW, Total)		mW	500		
Tensile load		N	5		
Fiber type		-	PM Panda Fiber		
Operating temperature		°C	-5 to +70		



Storage temperature	°C	-40 to +85
Package size	mm	160x140x10 for 4 Channels, or Specify
		160x160x10 for 8 Channels, or Specify
		160x160x20 for 16 Channels, or Specify

\*The above specifications apply to modules without connectors.

\*For devices with connectors, IL will be 0.3dB higher, RL will be 5dB lower, and ER will be 2dB lower.

\*PM fiber and connector keys are aligned with the slow axis.

## Model Description

MP-WDM-①-②-③-④④-⑤-⑥-⑦⑦-⑧-⑨⑨

①: Model Type

M - MUX

D - DEMUX

②: Number of Channels

4 - 4 Channels

8 - 8 Channels

16 - 16 Channels

**③: Channel Spacing****1 - 100 GHz****2 - 200 GHz****④④: First ITU Grid****XX - First ITU Channel****⑤: Connector Type****1A- FC/UPC****2A - FC/APC****3D - SC/UPC****4D - SC/APC****N - None****S - Specify****⑥: Fiber Jacket Type****B - Bare Fiber****C - 900um Loose tube (Red)****D - 900um Loose tube (Blue)****S - Specify****⑦⑦: Fiber Type**



**2A - PM1550 Fiber**

**S - Specify**

**⑧: Fiber Length**

**0.8 - 0.8m**

**S - Specify**

**⑨⑨: Package Dimensions**

**67 - 160x140x10mm**

**68 - 160x160x10mm**

**76 - 160x160x20mm**

**S - Specify**