

1540 nm Polarization-mode bandpass fiber filter (FC/APC)



● Product Description

Idealphotonics' fiber filters use a special fiber structure to select or filter out specific wavelengths of light from different wavelengths. We can provide filter devices with different optical power versions according to user needs, which can be used in dense wavelength division multiplexing fiber communications, frequency division multiplexing fiber communications, spectrum testing, fiber sensors, fiber lasers and fiber amplifiers. If you need to customize the center wavelength, operating temperature or specific working bandwidth, please contact us for customization.

- **Product features**

Wide passband range、 Low insertion loss、 High channel isolation、 Stable operating

- **Part Number**

MP-WTF-BP-1540-20-PA

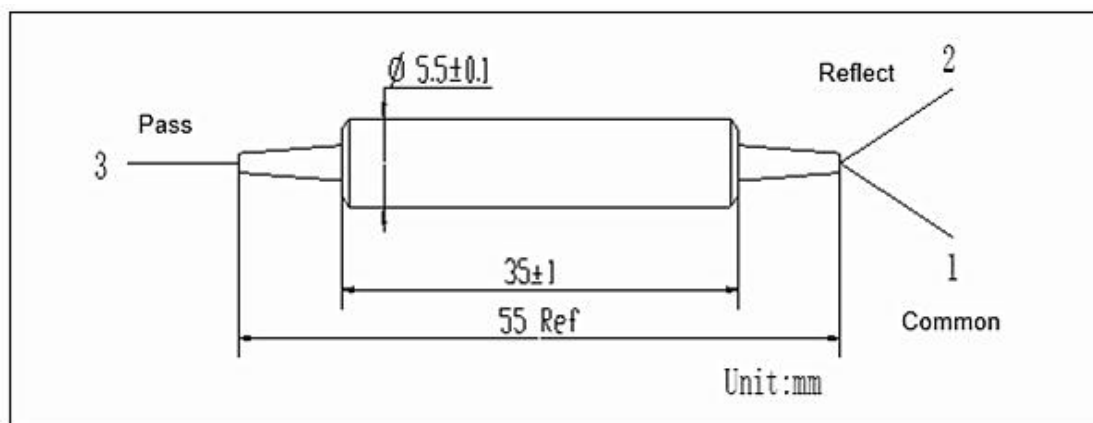
- **Application area**

Fiber amplifier、 WDM & DWDM system、 Fiber equipment、 Fiber laser

- **Core parameters**

Center Wavelength	Bandwidth	Connector
1540nm	20nm	FC/APC

- **Dimension Drawing**





● General Parameters

Parameters

Parameter	Unit	Value	Remarks
Central wavelength(nm)	nm	1520/ 1520/ 1560/ 1580	Other wavelengths can be customized
Insertion loss	dB	≤ 0.6	1550nm, 30mw, DFB
3dB Passband bandwidth	nm	20	@25 Celsius
Reflection wavelength	nm	1450-CWL-15@CWL+15-16 50	Full temperature : -40 -+75 °C
Minimum extinction ratio	dB	20	
Fiber type	N/ A	250um PM1550	Other fiber types available
Maximum reflection bandwidth @25dB	nm	30	-



Fiber connector type		None or FC/APC	-
Return loss (incoming/outgoing)	dB	> 60/ 55dB	-
Maximum operating power	mW	2000	-
Operating temperature	°C	-5-70°C	-
Storage temperature	°C	-40-85°C	-
Test light source		1550nm benchtop light source	-
Package size (mm)		As shown below	-

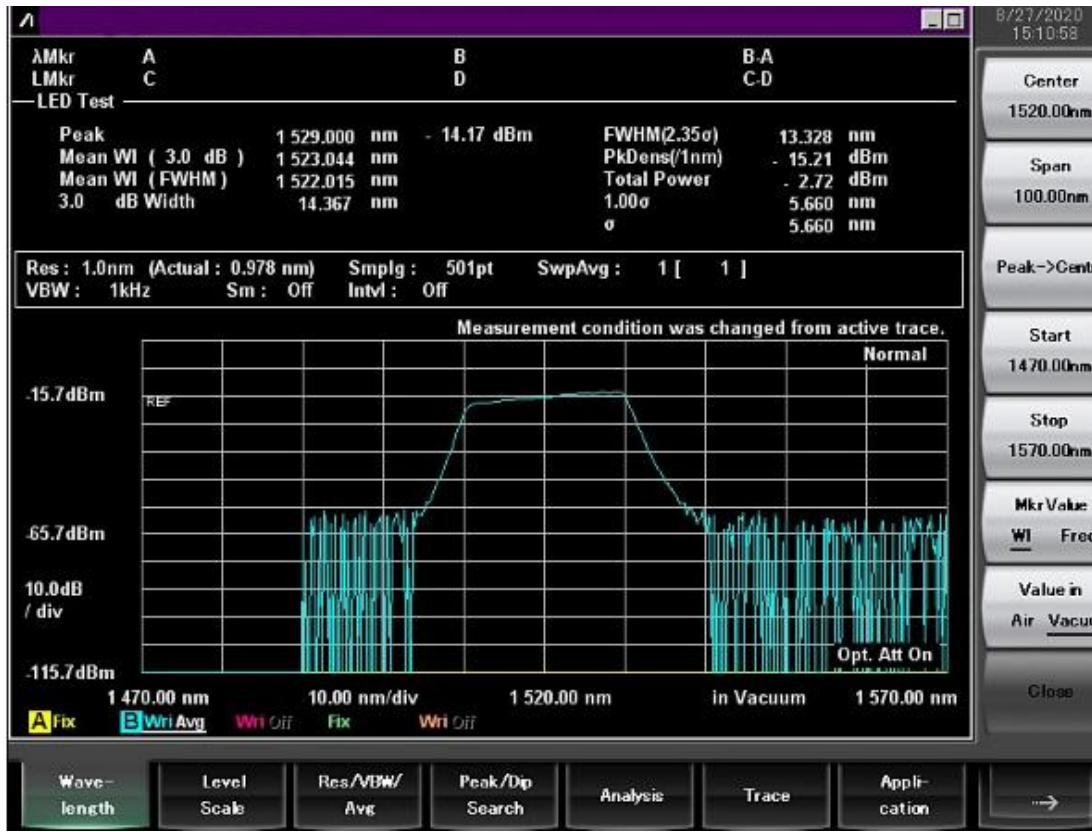
Notes:

***. All indicators are without connectors. Please note that they are only valid at the above wavelengths, polarization states and temperatures.**

****.** Indicators are subject to change without prior notice.



Test spectrum



Ordering information

MP-WTF-BP-W□□□□ -B○-P▽ -☆-△ -XX

W□□□□: Wavelength

1520: 1520nm

1550: 1550nm

1560: 1560nm

1580: 1580nm

B ○: 3 dB Bandpass width



20: 20nm

P ▽ : Package

1 : Standard

2 : Mini

☆: Pigtail Length

05: 0 . 5m

1 : 1m

10: 10m

△: Loose Tube

B: Bare Fiber

9 : 900um Loose Tube

20: 2mm Loose Tube

30: 2mm Loose Tube

XX: Fiber and Connector Type

SA=SMF-28E+ FC/APC

SP=SMF-28E+ FC/PC

PA=PMFiber+ FC/APC

PP=PMFiber+ FC/PC

PN= PMFiber+ none