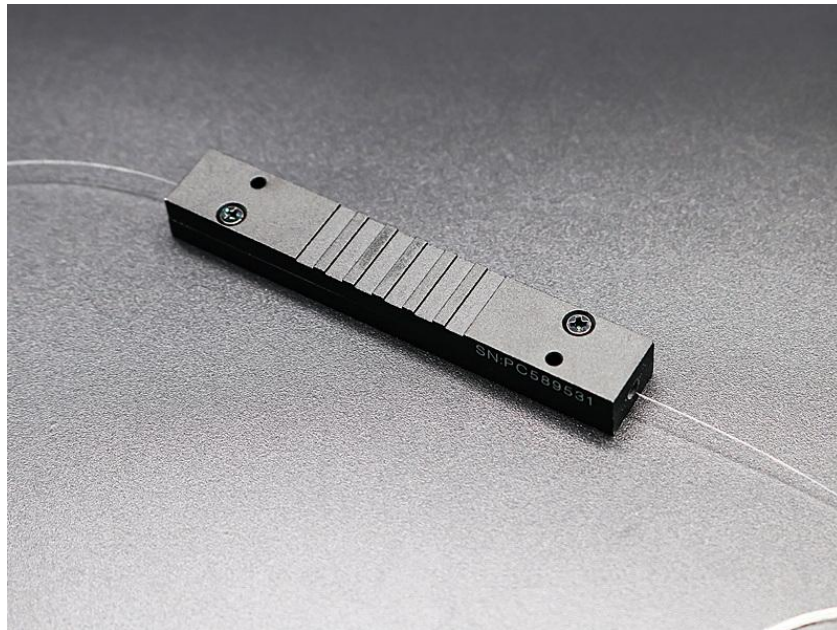


1550nm Fiber Mode Field Matcher/MFA Mode Matcher (250um bare fiber, no connector)



● Product Description

MFA mode field matcher (mode matcher) is a special process used to reduce the loss when optical fibers with different mode field diameters and numerical apertures are fused together. It can make the fundamental mode signal obtain the maximum transmittance at the melting point. The transmission direction from the small mode field to the large mode field is the forward direction, and vice versa. The MFA produced by Idealphotonics uses mode optimization technology to obtain high transmission efficiency

and low beam degradation. Mode matchers are often used in high-power fiber lasers and fiber amplifiers.

● Product features

Low insertion loss、 Customizable optical fiber

● Part Number

MP-MFA-1×1-15-F-2-2-1-1-2-2-1

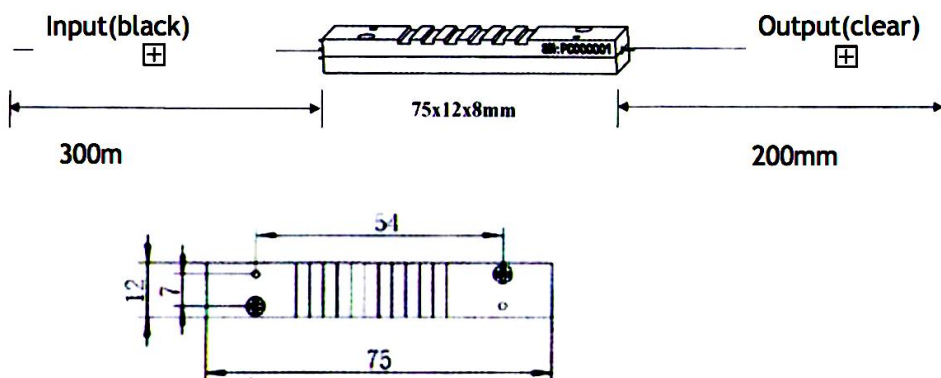
● Application area

Fiber laser、 Fiber amplifier、 Experimental research

● Core parameters

Working Wavelength	Transmission Direction	Connector
1550nm	Forward	None

● Dimension Drawing





● General Parameters

Parameters

Parameter	Unit	Performance Indicators
Port type	/	1x1
Operating wavelength	nm	1310/1550/1610 or specify
Transmission direction	/	Forward/Backward
Input fiber type	/	NL 1550 zero or specify
Output fiber type	/	SMF-28
Signal light loss	dB	≤0.50
Return loss	dB	≥40
Carrying power	W	≥10
Pigtail type	/	250um bare fiber or specify
Pigtail length	m	>1 or specify
Operating temperature	°C	0~75°C
Storage temperature	°C	-40~85°C
Packaging size	mm	75x12x8 or specify

Notes:

- ① The residual power at the pump input must be less than 0.5W. In high-power applications, it is recommended to clean the fiber tail and dissipate heat appropriately.
- ② The above data is the test data without connector at room temperature.

Ordering Information

MP-MFA-1 × 1-XX-X-X-X-X-X-X-X-X-XX

PN#:MFA	Customization options
---------	-----------------------



PN#:MFA	Customization options
Port type:X	1x1
Operating wavelength:XX	13=1310nm;15=1550nm;16=1610nm;XX= customizable
Transmission direction:X	F=Forward;B=Backward
Input pigtail type(IN):X	1=NL1550,zero fiber ;2=SMF-28;3= customizable
Pigtail Type(OUT):X	1=SMF-28;2=customizable
Input pigtail type :X	1=250μm bare fiber;2=900μm loose tube ;3=2mm Kevlar;4=3mm Kevlar;5= customizable
Pigtail Type :X	1=250μm bare fiber;2=900μm loose tube;3=2mm Kevlar;4=3mmKevlar;5= customizable
Pigtail length:X	1=0.5m;2=1m;3=customizable
Package size :X	1=75x12x8;2=customizable
Connector type:XX	1=none;2=FC/PC;3=FC/APC;4=SC/FC;5=customizable