

760.8nm 6mW TO5 DFB laser diode



- **Product Description**

760.8 nm DFB laser diodes are used for oxygen detection.

- **Product features**

Compact TO5 package; stable output; single longitudinal mode characteristic; low threshold current; wide-temperature operation

- **Part Number**

MP-DFB-760.8-6-TO5



● Application area

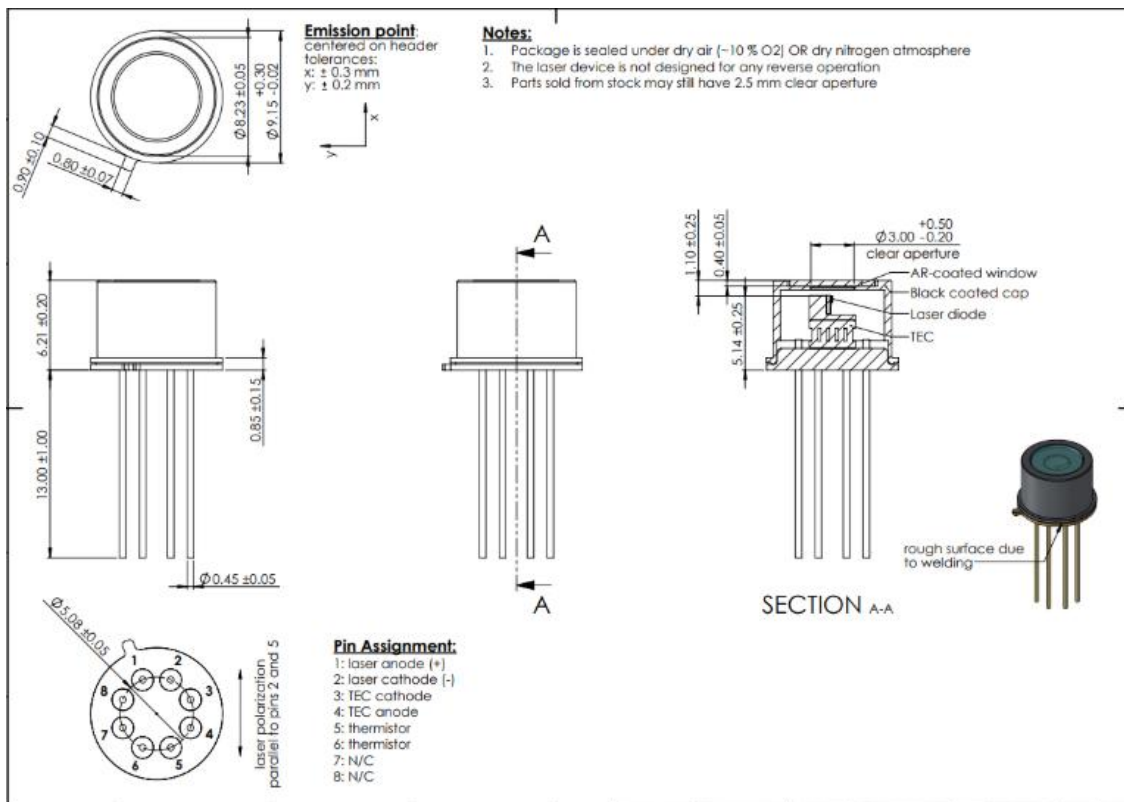
Optical fiber communication | Fiber optic sensing | Industrial inspection |

Medical equipment | Consumer electronics

● Core parameters

Central Wavelength	Output Power
760.8nm	6mW

● Dimension Drawing



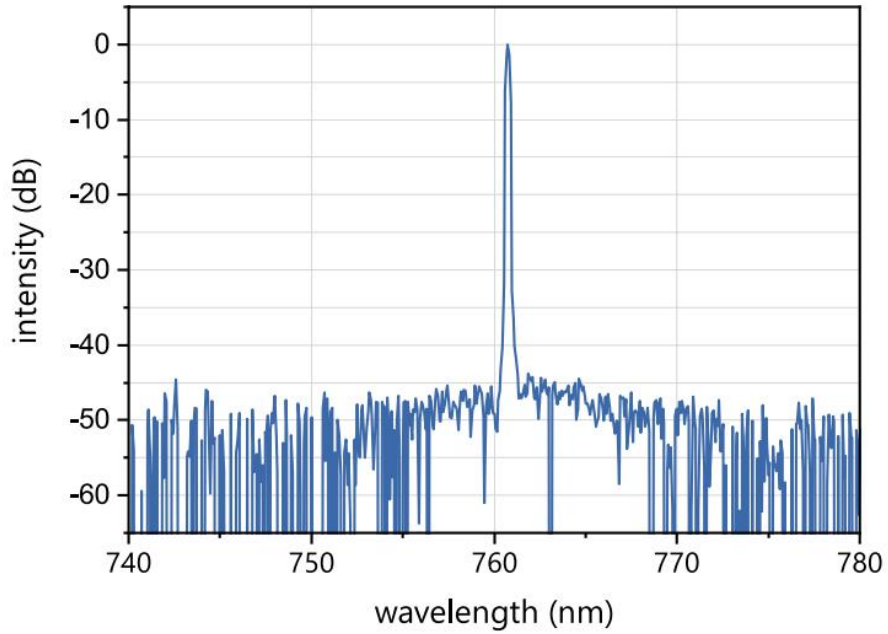


● General Parameters

Item	Symbol	Unit	Min.	Typ.	Max.
Operating Wavelength	λ_{op}	nm	—	760.8	—
Optical Output Power (at λ_{op})	Pop	mW	—	6	—
Operating Current	Iop	mA	—	30	—
Operating Voltage	Vop	V	—	3	—
Threshold Current	Ith	mA	5	10	18
Side-Mode Suppression Ratio	SMSR	dB	—	>35	—
Current Tuning Coefficient	CI	nm/mA	0.010	0.018	0.025
Temperature Tuning Coefficient	CT	nm/K	0.045	0.054	0.060
Chip Operating Temperature	Top	°C	+20	+25	+40
Case Operating Temperature	Tcase	°C	-20	+25	+55
Storage Temperature	TStg	°C	-40	+20	+80

Product Features

Spectrum Diagram



Wavelength tuning range

