

770nm single color LED Diode



- **Product Description**

The 770nm visible emitter series is designed for applications requiring high output and precise optical / mechanical axis alignment. Custom package solutions and sorting are available.

- **Product features**

TO-46 Metal Can Package; High Output Power; High Reliability

- **Part Number**

MP-LED-770-18-T05

● Application area

Optical Switches | Medical Application | Optical Sensor

● Core parameters

Center wavelength
770nm

● General Parameters

Absolute Maximum Ratings (Ta=25°C)

Items	Symbol	Ratings	Unit
Forward Current(DC)*3	IF	500	mA
Forwarded Current(Pulse)*1	IFP	1	A
Reverse Voltage	VR	5	V
Power Dissipation	PD	1000	mW
Operating Temperature Range	Topr	-20 ~ +85	°C
Storage Temperature Range	Tstg	-30 ~ +100	°C
Lead Soldering Temperature*2	Tls	260	°C

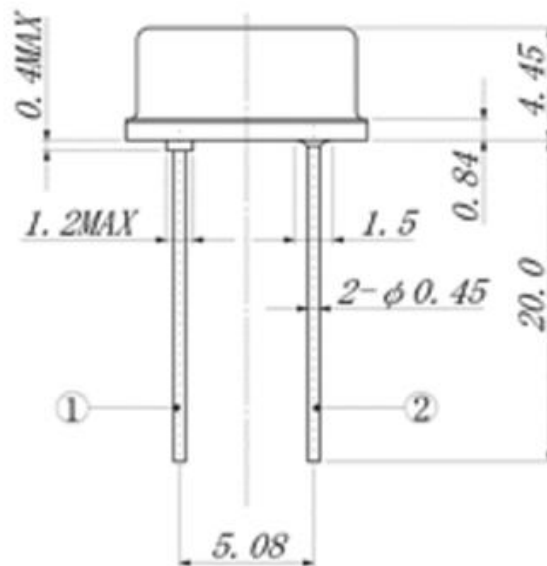
*1: Tw=10μsec, T=10msec. *2: Time 5 Sec max, Position: Up to 3mm from the

body.3*Proper heat sink required

Electrical & Optical Characteristics (Ta = 25°C)

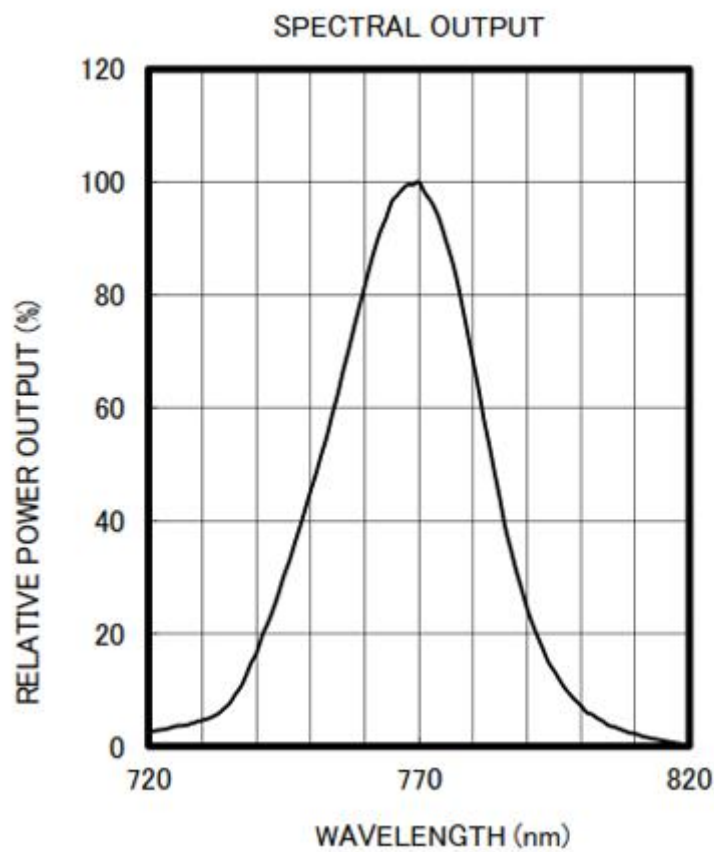
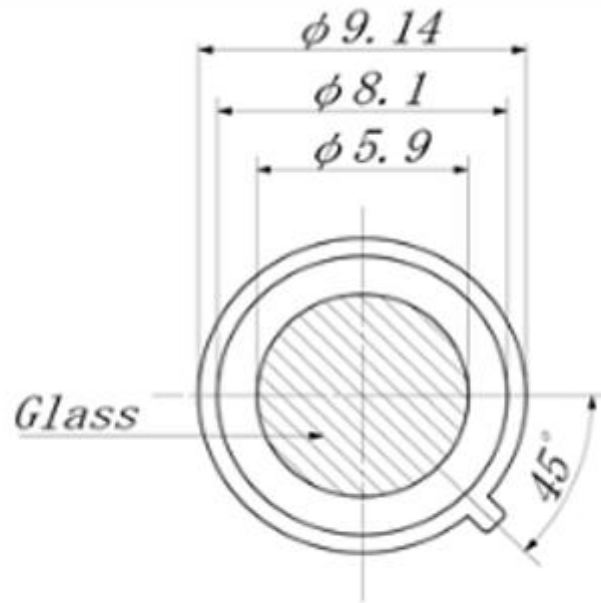
Items	Symb ol	Test Condition	Min.	Typic al	Max.	Unit
Power Output	PO	IF=200mA	--	18.0	--	mW
Forward Voltage	VF	IF=200mA	--	1.7	2.0	V
Reverse Current	IR	VR=5V	--	--	10	μA
Peak Emission Wavelength	λp	IF=200mA	--	770	--	nm
Spectra Line Half Width	Δλ	IF=200mA	--	35	--	nm
Half Intensity Beam Angle	Θ	IF=200mA	--	±45	--	°

Package Dimensions and Electro-Optical Characteristics

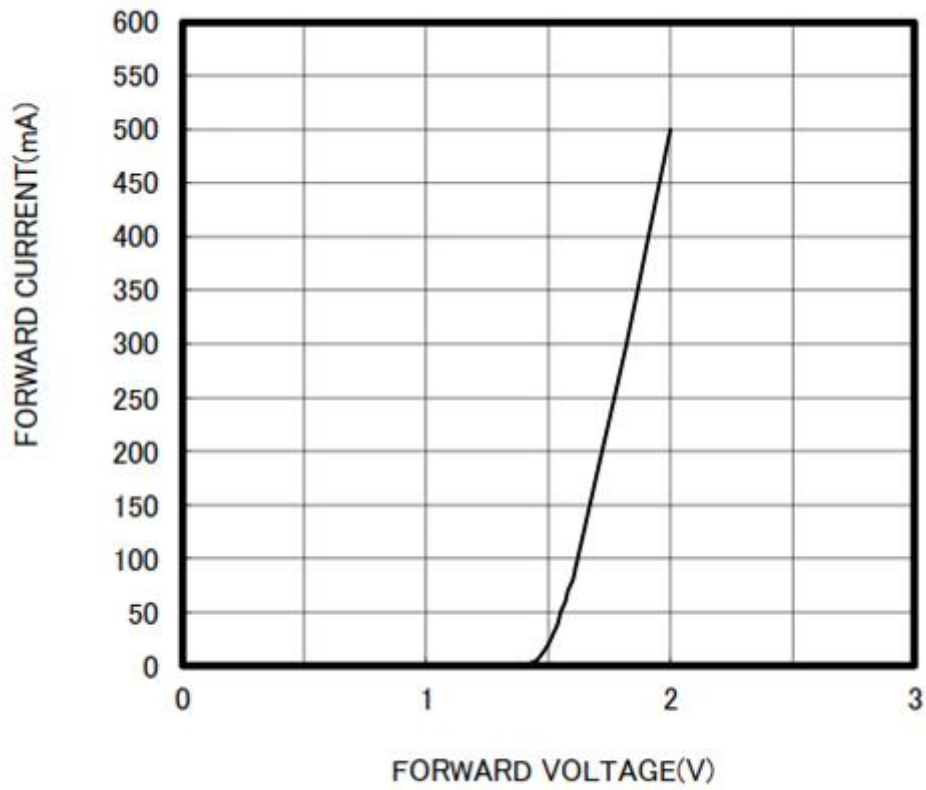


① Cathode

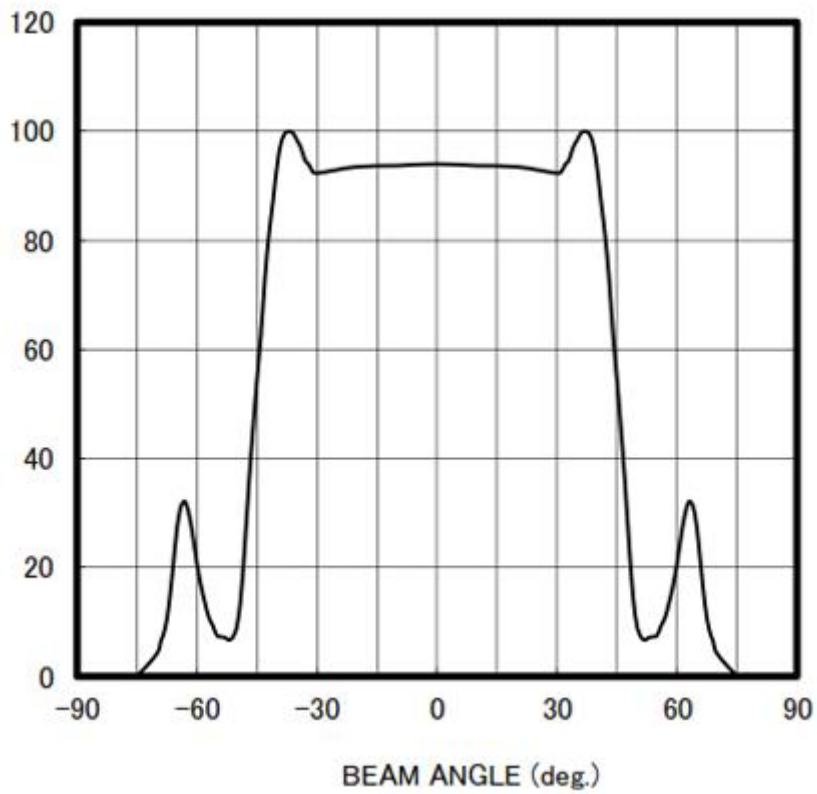
② Anode



FORWARD I-V CHARACTERISTICS



RADIATION PATTERN





RELATIVE POWER vs FORWARD CURRENT

