



## 950nm single color LED Diode



- **Product Description**

The 950nm IR emitter series is designed for applications requiring high output and precise optical / mechanical axis alignment. Custom package solutions and sorting are available.

- **Product features**

High Output Power; High Reliability

- **Part Number**

MP-LED-950-18-T046



## ● Application area

Optical Switches / Security Systems | Linear & Rotary Encoder | Remote Controls / Robotics | Card Readers / Medical Electronics

## ● Core parameters

Center wavelength
950nm

## ● General Parameters

Absolute Maximum Ratings (Ta=25°C)

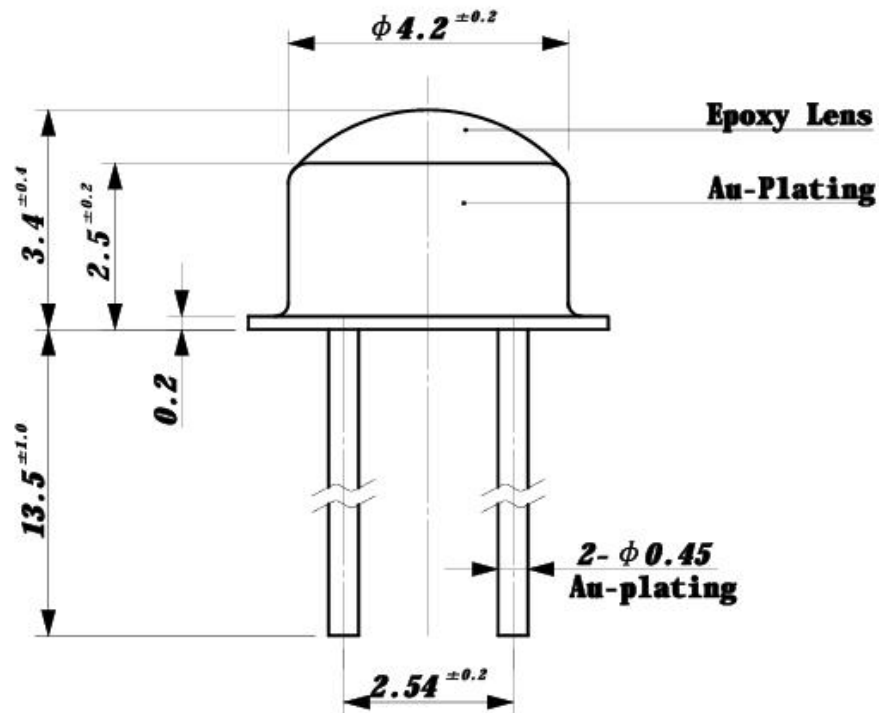
Items	Symbol	Ratings	Unit
Forward Current(DC)	IF	100	mA
Forwarded Current(Pulse)*1	IFP	1	A
Reverse Voltage	VR	5	V
Power Dissipation	PD	180	mW
Operating Temperature Range	Topr	-20 ~ +85	°C
Storage Temperature Range	Tstg	-30 ~ +100	°C
Lead Soldering Temperature*2	Tls	260	°C

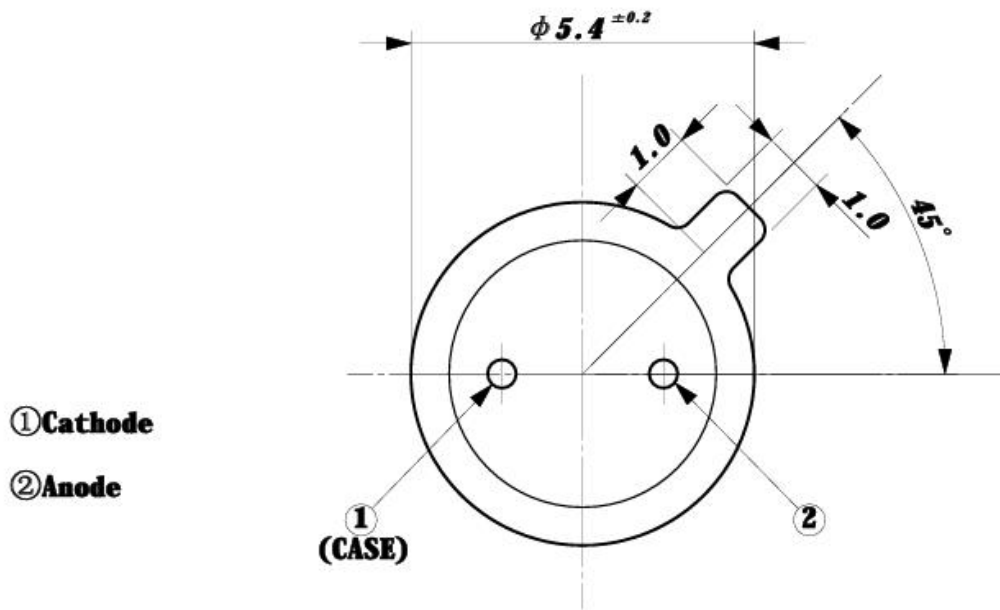
\*1: Tw=10μsec, T=10msec. \*2: Time 5 Sec max, Position: Up to 3mm from the body.

## Electrical & Optical Characteristics (Ta = 25°C)

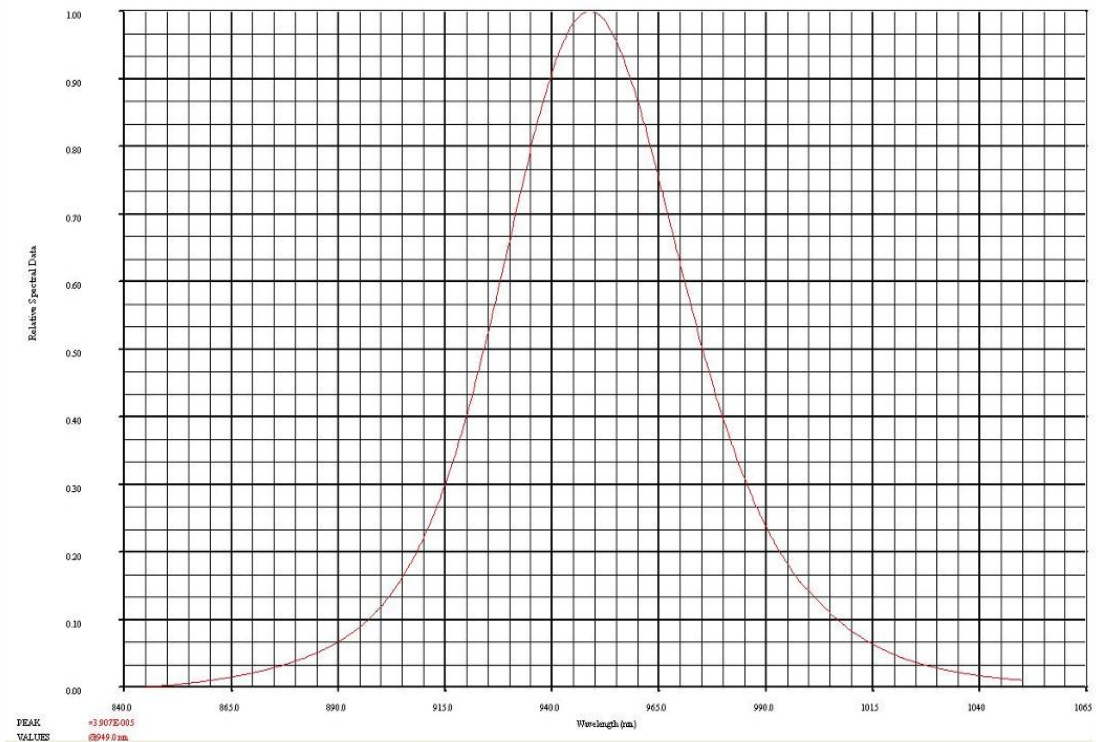
Items	Symb ol	Test Condition	Min.	Typic al	Max.	Unit
Power Output	PO	IF=50mA	--	18	--	mW
Forward Voltage	VF	IF=50mA	--	1.3	--	V
Reverse Current	IR	VR=5V	--	--	100	μA
Peak Emission Wavelength	λp	IF=50mA	--	950	--	nm
Spectra Line Half Width	Δλ	IF=50mA	--	50	--	nm
Half Intensity Beam Angle	Θ	IF=50mA	--	±15	--	°

## Package Dimensions and Electro-Optical Characteristics

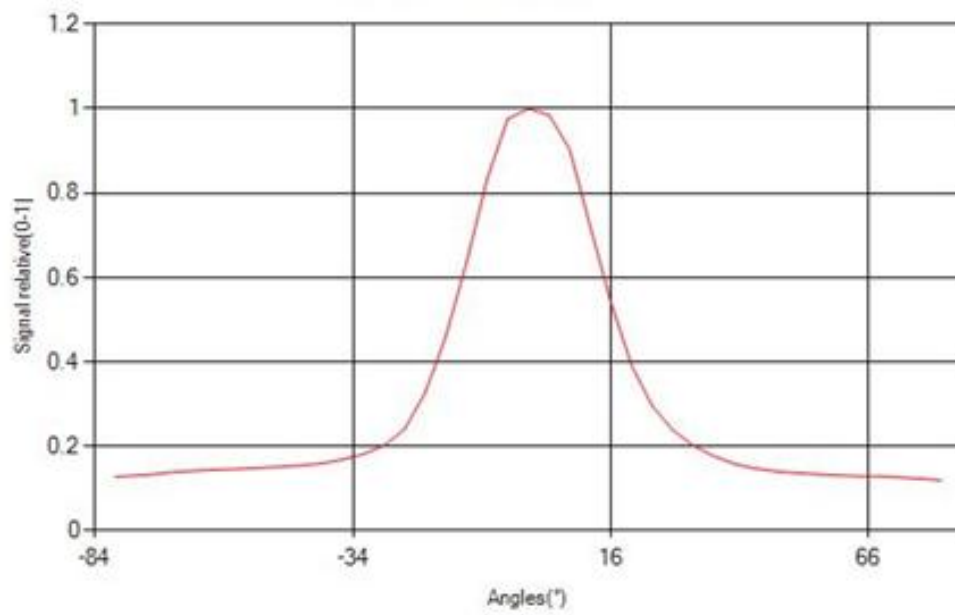




## Spectral Response



## Radiation Distribution



## View Angle

