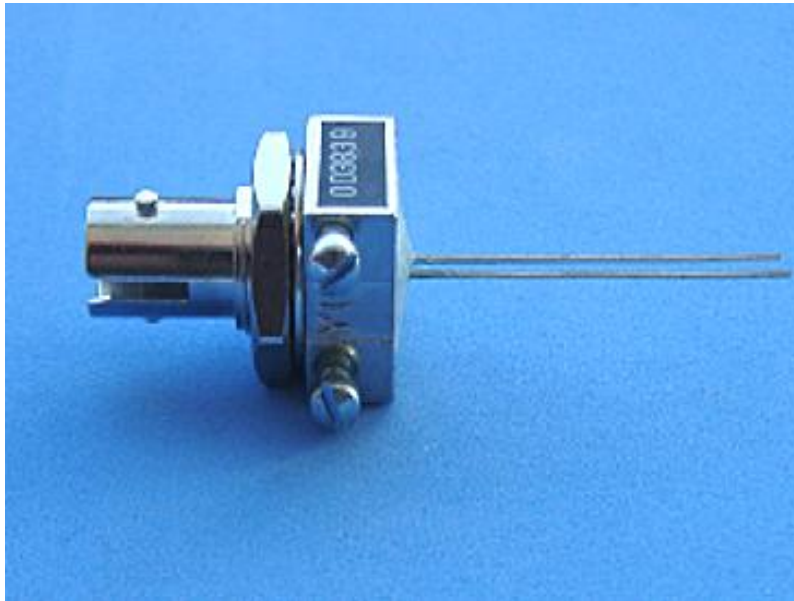


## 905nm 75W 30ns FC Pulsed Laser



- **Product Description**

This 905nm pulsed laser is designed for triggering light-triggered thyristors (LTTs), light-triggered integrated power circuits (IGBTs), Licht-zündbare thyristors (LZTs), or integrated circuits.

- **Product features**

High-power pulsed output; Low insertion loss; High repetition frequency;  
Compact industrial design; Intelligent temperature control system

## ● Part Number

MP-PLD-NS-30-905-75W-FC

## ● Application area

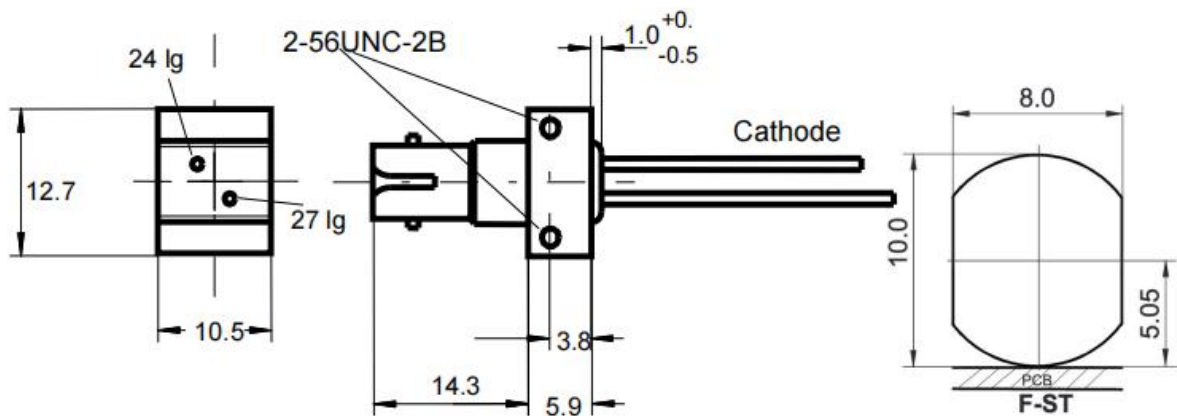
Precision microfabrication | Laser marking | Semiconductor manufacturing |

Medical equipment | Scientific research experiments

## ● Core parameters

Center wavelength	Peak output power	Pulse Width (FWHM)
905nm	75W	30ns

## ● Dimension Drawing





## ● General Parameters

<b>Specifications:</b>	
<b>Peak output power</b>	<b>75W</b>
<b>Forward current (Max. value).</b>	<b>25A</b>
<b>Pulse width (FWHM).</b>	<b>30ns</b>
<b>Duty Cycle</b>	<b>0.10%</b>
<b>Wavelength</b>	<b>905±10nm</b>
<b>Operating voltage</b>	<b>6.0V(100ns/1kHz)</b>
<b>Threshold current</b>	<b>0.3A</b>
<b>Operating temperature</b>	<b>-40°C-+85°C</b>
<b>connectors</b>	<b>ST, FC optional</b>
<b>Output power (without fiber)</b>	<b>&gt;180 mW</b>
<b>(8A, 25°C, 100ns pulse width).</b>	<b>1m HCS/PCF 200/230Cm, NA=0.37</b>